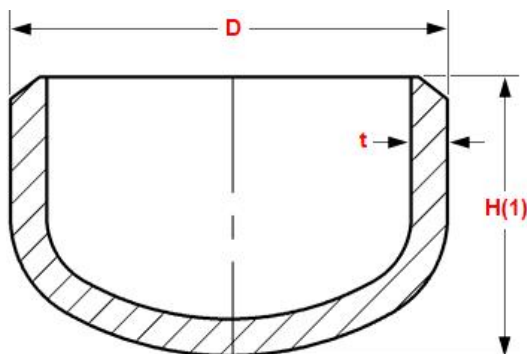


## Dimensions of Caps - ASME B16.9



NPS	DN	OD, D	Length, <i>H</i>	Limiting Wall Thickness for Length H	Length, <i>H1</i>
1/2	15	21.3	25	4.57	25
3/4	20	26.7	25	3.81	25
1	25	33.4	38	4.57	38
1 1/4	32	42.2	38	4.83	38
1 1/2	40	48.3	38	5.08	38
2	50	60.3	38	5.59	44
2 1/2	65	73	38	7.11	51
3	80	88.9	51	7.62	64
3 1/2	90	101.6	64	8.13	76
4	100	114.3	64	8.64	76
5	125	141.3	76	9.65	89
6	150	168.3	89	10.92	102
8	200	219.1	102	12.7	127
10	250	273	127	12.7	152
12	300	323.8	152	12.7	178
14	350	355.6	165	12.7	191
16	400	406.4	178	12.7	203
18	450	457	203	12.7	229
20	500	508	229	12.7	254
22	550	559	254	12.7	254
24	600	610	267	12.7	305
26	650	660	267	...	...
28	700	711	267	...	...
30	750	762	267	...	...
32	800	813	267	...	...
34	850	864	267	...	...
36	900	914	267	...	...
38	950	965	305	...	...
40	1000	1016	305	...	...
42	1050	1067	305	...	...
44	1100	1118	343	...	...
46	1150	1168	343	...	...
48	1200	1219	343	...	...

**Notes:**

(1) Length H applies for thickness not exceeding that given in column "Limiting Wall Thickness for Length H."

(2) Length H1 applies for thickness greater than that given in column "Limiting Wall Thickness" for NPS 24 and smaller. For NPS 26 and larger, length H1 shall be by agreement between the manufacturer and purchaser.