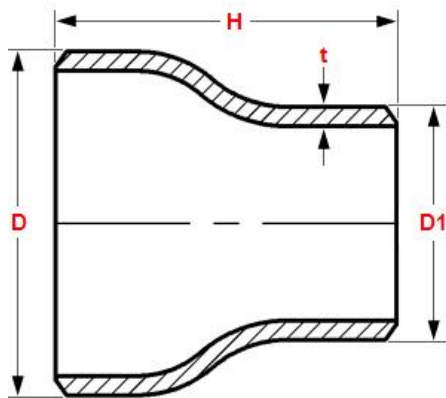
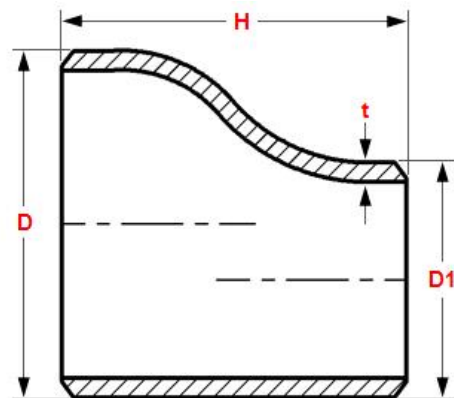


## Dimensions of concentric & eccentric reducers - ASME B16.9



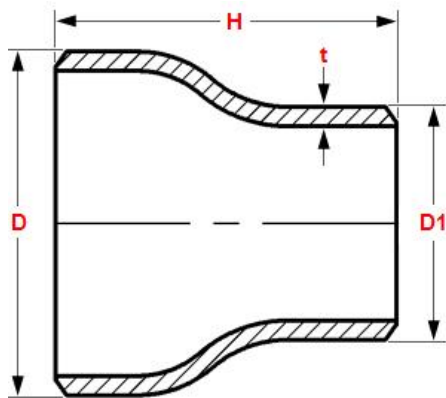
Reducer concentric



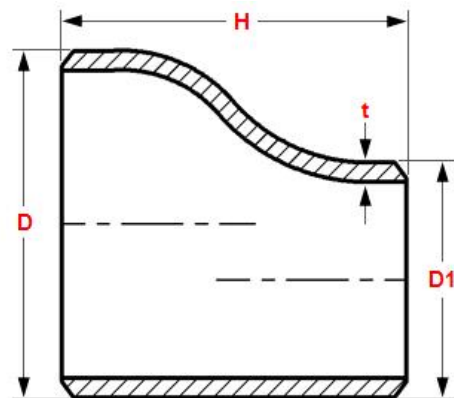
Reducer eccentric

NPS	DN	Outside Diameter at Bevel		End-to-End, H
		Large End	Small End	
3/4 × 1/2	20 × 15	26.7	21.3	38
3/4 × 3/8	20 × 10	26.7	17.1	38
1 × 3/4	25 × 20	33.4	26.7	51
1 × 1/2	25 × 15	33.4	21.3	51
1 1/4 × 1	32 × 25	42.2	33.4	51
1 1/4 × 3/4	32 × 20	42.2	26.7	51
1 1/4 × 1/2	32 × 15	42.2	21.3	51
1 1/2 × 1 1/4	40 × 32	48.3	42.2	64
1 1/2 × 1	40 × 25	48.3	33.4	64
1 1/2 × 3/4	40 × 20	48.3	26.7	64
1 1/2 × 1/2	40 × 15	48.3	21.3	64
2 × 1 1/2	50 × 40	60.3	48.3	76
2 × 1 1/4	50 × 32	60.3	42.2	76
2 × 1	50 × 25	60.3	33.4	76
2 × 3/4	50 × 20	60.3	26.7	76
2 1/2 × 2	65 × 50	73	60.3	89
2 1/2 × 1 1/2	65 × 40	73	48.3	89
2 1/2 × 1 1/4	65 × 32	73	42.2	89
2 1/2 × 1	65 × 25	73	33.4	89
3 × 2 1/2	80 × 65	88.9	73	89
3 × 2	80 × 50	88.9	60.3	89
3 × 1 1/2	80 × 40	88.9	48.3	89
3 × 1 1/4	80 × 32	88.9	42.2	89
3 1/2 × 3	90 × 80	101.6	88.9	102
3 1/2 × 2 1/2	90 × 65	101.6	73	102
3 1/2 × 2	90 × 50	101.6	60.3	102
3 1/2 × 1 1/2	90 × 40	101.6	48.3	102
3 1/2 × 1 1/4	90 × 32	101.6	42.2	102
4 × 3 1/2	100 × 90	114.3	101.6	102
4 × 3	100 × 80	114.3	88.9	102
4 × 2 1/2	100 × 65	114.3	73	102

## Dimensions of concentric & eccentric reducers - ASME B16.9



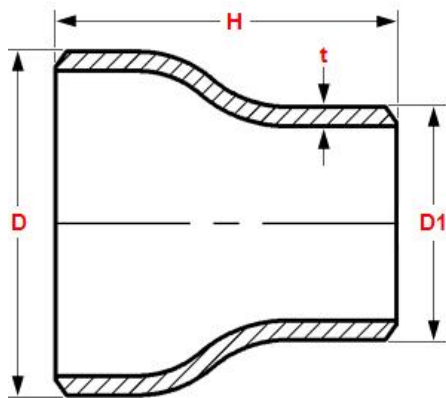
Reducer concentric



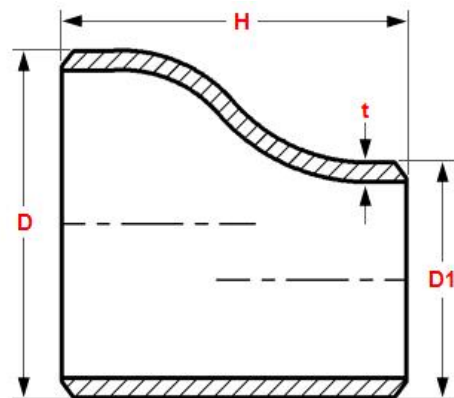
Reducer eccentric

NPS	DN	Outside Diameter at Bevel		End-to- End, H
		Large End	Small End	
4 × 2	100 × 50	114.3	60.3	102
4 × 1 ½	100 × 40	114.3	48.3	102
5 × 4	125 × 100	141.3	114.3	127
5 × 3 ½	125 × 90	141.3	101.6	127
5 × 3	125 × 80	141.3	88.9	127
5 × 2 ½	125 × 40	141.3	73	127
5 × 2	125 × 50	141.3	60.3	127
6 × 5	150 × 125	168.3	141.3	140
6 × 4	150 × 100	168.3	114.3	140
6 × 3 ½	150 × 90	168.3	101.6	140
6 × 3	150 × 80	168.3	88.9	140
6 × 2 ½	150 × 65	168.3	73	140
8 × 6	200 × 150	219.1	168.3	152
8 × 5	200 × 125	219.1	141.3	152
8 × 4	200 × 100	219.1	114.3	152
8 × 3 ½	200 × 90	219.1	101.6	152
10 × 8	250 × 200	273	219.1	178
10 × 6	250 × 150	273	168.3	178
10 × 5	250 × 125	273	141.3	178
10 × 4	250 × 100	273	114.3	178
12 × 10	300 × 250	323.8	273	203
12 × 8	300 × 200	323.8	219.1	203
12 × 6	300 × 150	323.8	168.3	203
12 × 5	300 × 125	323.8	141.3	203
14 × 12	350 × 300	355.6	323	330
14 × 10	350 × 250	355.6	273	330
14 × 8	350 × 200	355.6	219.1	330
14 × 6	350 × 150	355.6	168.3	330
16 × 14	400 × 350	406.4	355.6	356
16 × 12	400 × 300	406.4	323.8	356
16 × 10	400 × 250	406.4	273	356

## Dimensions of concentric & eccentric reducers - ASME B16.9



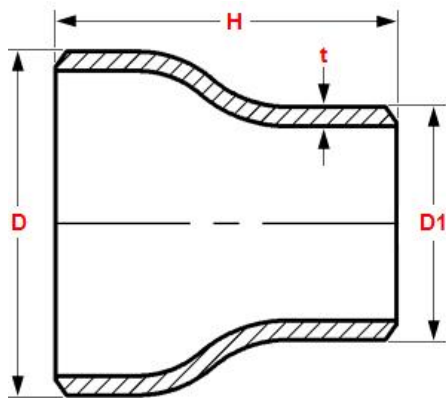
Reducer concentric



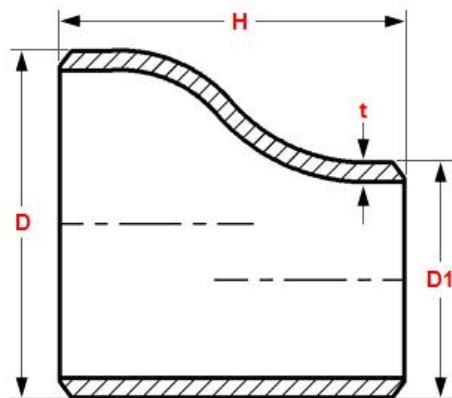
Reducer eccentric

NPS	DN	Outside Diameter at Bevel		End-to- End, H
		Large End	Small End	
16 × 8	400 × 200	406.4	219.1	356
18 × 16	450 × 400	457.2	406.4	381
18 × 14	450 × 350	457.2	355.6	381
18 × 12	450 × 300	457.2	323.8	381
18 × 10	450 × 250	457.2	273	381
20 × 18	500 × 450	508	457.2	508
20 × 16	500 × 400	508	406.4	508
20 × 14	500 × 350	508	355.6	508
20 × 12	500 × 300	508	323.8	508
22 × 20	550 × 500	558.8	508	508
22 × 18	550 × 450	558.8	457.2	508
22 × 16	550 × 400	558.8	406.4	508
22 × 14	550 × 350	558.8	355.6	508
24 × 22	600 × 550	609.6	558.8	508
24 × 20	600 × 500	609.6	508	508
24 × 18	600 × 450	609.6	457.2	508
24 × 16	600 × 400	609.6	406.4	508
26 × 24	650 × 600	660	610	610
26 × 22	650 × 550	660	559	610
26 × 20	650 × 500	660	508	610
26 × 18	650 × 450	660	457	610
28 × 26	700 × 650	711	660	610
28 × 24	700 × 600	711	610	610
28 × 20	700 × 500	711	508	610
28 × 18	700 × 700	711	457	610
30 × 28	750 × 700	762	711	610
30 × 26	750 × 650	762	660	610
30 × 24	750 × 600	762	610	610
30 × 20	750 × 500	762	508	610
32 × 30	800 × 750	813	762	610
32 × 28	800 × 700	813	711	610

## Dimensions of concentric & eccentric reducers - ASME B16.9



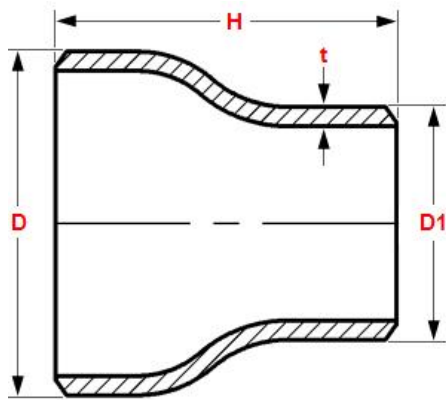
Reducer concentric



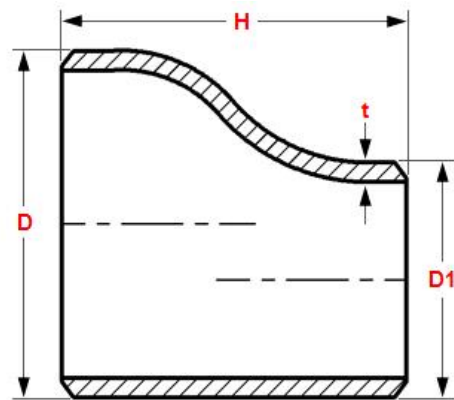
Reducer eccentric

NPS	DN	Outside Diameter at Bevel		End-to-End, H
		Large End	Small End	
32 × 26	800 × 650	813	660	610
32 × 24	800 × 600	813	610	610
34 × 32	850 × 800	864	813	610
34 × 30	850 × 750	864	762	610
34 × 26	850 × 650	864	660	610
34 × 24	850 × 600	864	610	610
36 × 34	900 × 850	914	864	610
36 × 32	900 × 800	914	713	610
36 × 30	900 × 750	914	762	610
36 × 26	900 × 650	914	660	610
36 × 24	900 × 600	914	610	610
38 × 36	950 × 900	965	914	610
38 × 34	950 × 850	965	864	610
38 × 32	950 × 800	965	813	610
38 × 30	950 × 750	965	762	610
38 × 28	950 × 700	965	711	610
38 × 26	950 × 650	965	660	610
40 × 38	1000 × 950	965	965	610
40 × 36	1000 × 900	1016	914	610
40 × 34	1000 × 850	1016	864	610
40 × 32	1000 × 800	1016	813	610
40 × 30	1000 × 750	1016	762	610
42 × 40	1050 × 1000	1016	1016	610
42 × 38	1050 × 950	1067	965	610
42 × 36	1050 × 900	1067	914	610
42 × 34	1050 × 850	1067	864	610
42 × 32	1050 × 800	1067	813	610
42 × 30	1050 × 750	1067	762	610
44 × 42	1100 × 1050	1118	1067	610
44 × 40	1100 × 1000	1118	1016	610
44 × 38	1100 × 950	1118	965	610

## Dimensions of concentric & eccentric reducers - ASME B16.9



Reducer concentric



Reducer eccentric

NPS	DN	Outside Diameter at Bevel		End-to- End, H
		Large End	Small End	
44 × 36	1100 × 900	1118	914	610
46 × 44	1150 × 1100	1168	1118	711
46 × 42	1150 × 1050	1168	1067	711
46 × 40	1150 × 1000	1168	1016	711
46 × 38	1150 × 950	1168	965	711
48 × 46	1200 × 1150	1219	1168	711
48 × 44	1200 × 1100	1219	1118	711
48 × 42	1200 × 1050	1219	1067	711
48 × 40	1200 × 1000	1219	1016	711