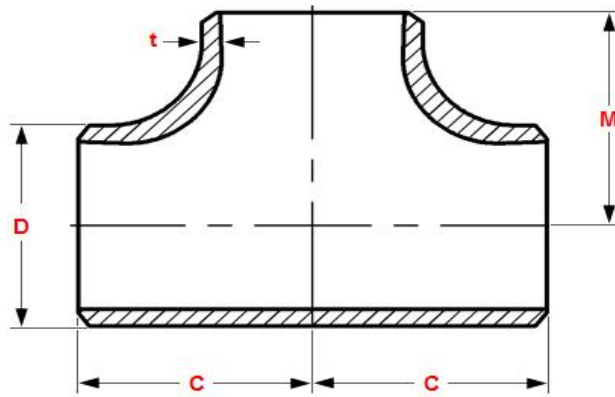


Dimensions of straight tees and crosses - ASME B16.9



NPS	DN	OD, D	Center to End	
			Run, C	Outlet, M [Notes(1),(2)]
1/2	15	21.3	25	25
3/4	20	26.7	29	29
1	25	33.4	38	38
1 1/4	32	42.2	48	48
1 1/2	40	48.3	57	57
2	50	60.3	64	64
2 1/2	65	73	76	76
3	80	88.9	86	86
3 1/2	90	101.6	95	95
4	100	114.3	105	105
5	125	141.3	124	124
6	150	168.3	143	143
8	200	219.1	178	178
10	250	273	216	216
12	300	323.8	254	254
14	350	355.6	279	279
16	400	406.4	305	305
18	450	457	343	343
20	500	508	381	381
22	550	559	419	419
24	600	610	432	432
26	650	660	495	495
28	700	711	521	521
30	750	762	559	559
32	800	813	597	597
34	850	864	635	635
36	900	914	673	673
38	950	965	711	711
40	1000	1016	749	749
42	1050	1067	762	711
44	1100	1118	813	762
46	1150	1168	851	800
48	1200	1219	889	838

Notes:

(1) Outlet dimension M for NPS 26 and larger is recommended but not required .

(2) Dimensions applicable to crosses NPS 24 and smaller.